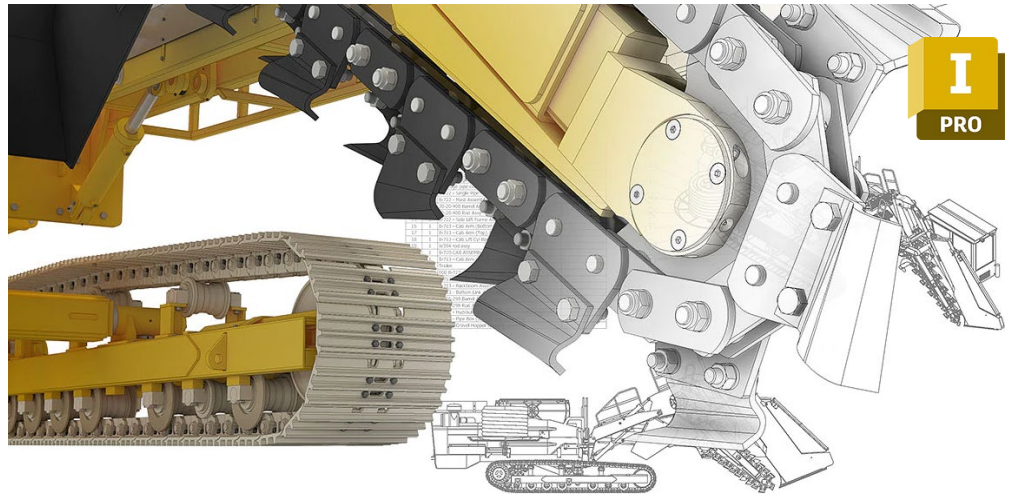


Inventor Essentials

Training course outline

Inventor makes it easy to create, modify and manage piping and instrumentation diagrams.

Inventor Essentials training provides a thorough grounding for beginners. On completion, you will be able to use Inventor to create and amend production-ready parts and assemblies.



Course summary

Inventor Essentials teaches:

- The fundamental principles behind 3D parametric part and assembly design.
- The use of the tools and features available in Inventor to create and amend production-ready parts and assemblies.

Hands-on exercises representing real-world, industry-specific design scenarios are carried out under guidance.

Duration

Three days.

Who should attend?

Newcomers to Inventor and novice users.

In-class or live online

You can attend course in-person at any of our centres, or participate online from your place of work or home.

To read about our approach to online training, see: armada.co.uk/onlinetraining.

General information

Armada is an Autodesk authorised Training Centre (ATC), and our *Inventor Essentials* course is accredited by Autodesk.

Inventor courses are hosted by Autodesk Certified Instructors (ACIs) from an engineering background with vast experience of using Inventor professionally.

Whilst attending training at our centres, delegates have the use of a computer running licensed Inventor software to practice the techniques taught.

Course fees can be paid by card or bank transfer. We accept purchase orders from UK-registered companies and public sector organisations.

If you're self-funding your training, you can pay in staged payments, interest-free, over 12 months.

Course materials and certificate

Delegates receive:

- A comprehensive Inventor training guide.
- An e-certificate from Autodesk confirming attendance on an accredited *Inventor Essentials* course.

Method of delivery

Training is designed for the busy professional, being short and intensive and combining lecture and demonstration. Practical exercises carried out under guidance help delegates to learn the techniques taught.

Delegates have ample opportunity to discuss their specific requirements.

After course support

Following Inventor training, you're entitled to 30 days' email support from your trainer.

Further information, prices & dates

See: armada.co.uk/course/inventor.

Course syllabus

See over.

Course syllabus

Sessions	Topics
Getting started	Autodesk Inventor user interface View manipulation Designing parametric parts
Basic sketching techniques	Creating 2D sketches Geometric constraints Dimensioning sketches
Basic shape design	Creating basic sketched features Intermediate sketching Editing parametric parts 3D grip editing Creating work features Creating basic swept shapes
Detailed shape design	Creating chamfers and fillets Creating holes and threads Patterning and mirroring features Creating thin-walled parts
Assembly design overview	Designing assemblies Using project files in assembly designs
Placing, creating and constraining components	Placing components in an assembly Constraining components Placing standard components using the content center Basic part design in an assembly

Sessions	Topics
Interacting with an assembly	Identifying parts in an assembly Analysis and motion tools Presenting your assembly
Basic view creation	Drawing creation environment Base and projected views Section views Detail views Crop views Managing views
Dimensions, annotations and tables	Automated dimensioning techniques Manual dimensioning techniques Annotating holes and threads Creating centerlines, symbols and leaders Revision tables and tags
Annotating assembly drawings	Assembly-centric bill of materials Creating and customising parts lists Creating balloons
Drawing standards and resources	Setting drawing standards Drawing resources